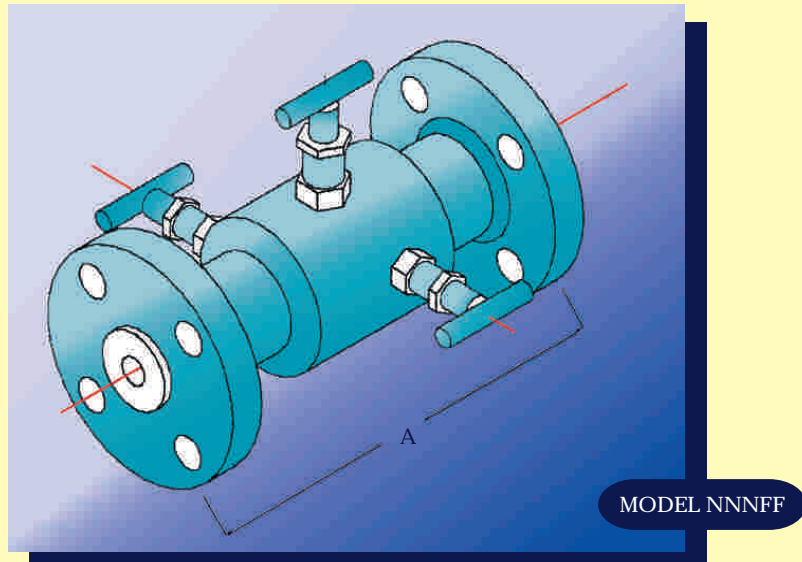


NEEDLE DOUBLE BLOCK & BLEED VALVES - 4.5mm BORE



MODEL NNNFF

NEEDLE DOUBLE BLOCK & BLEED VALVE
FLG x 1/2" NPT BLEED x FLG

ST DENOTES STOCK FINISH i.e. 250 TO 500 μ m
SM DENOTES SMOOTH FINISH i.e. 125 to 250 μ m

FLG x BLEED x FLG	A- mm(")	WEIGHT
1/2"150RF(ST) x NPT x RF	153(6")	19lbs(8.6kg)
1/2"150RF(SM) x NPT x RF	153(6")	19lbs(8.6kg)
1/2"300RF(ST) x NPT x RF	157(6-3/16")	20lbs(9kg)
1/2"300RF(SM) x NPT x RF	157(6-3/16")	20lbs(9kg)
1/2"600RF(ST) x NPT x RF	173(6-13/16")	21lbs(9.5kg)
1/2"600RF(SM) x NPT x RF	173(6-13/16")	21lbs(9.5kg)
1/2"1500RF(ST) x NPT x RF	201(7-15/16")	24lbs(10.9kg)
1/2"1500RF(SM) x NPT x RF	201(7-15/16")	24lbs(10.9kg)
1/2"2500RF(ST) x NPT x RF	217(8-9/16")	31lbs(14.1kg)
1/2"2500RF(SM) x NPT x RF	217(8-9/16")	31lbs(14.1kg)
1/2"300RTJ x NPT x RTJ	157(6-3/16")	20lbs(9kg)
1/2"600RTJ x NPT x RTJ	173(6-13/16")	21lbs(9.5kg)
1/2"1500RTJ x NPT x RTJ	201(7-15/16")	24lbs(10.9kg)
1/2"2500RTJ x NPT x RTJ	217(8-9/16")	31lbs(14.1kg)

FLG x BLEED x FLG	A- mm(")	WEIGHT
3/4"150RF(ST) x NPT x RF	157(6-3/16")	21lbs(9.5kg)
3/4"150RF(SM) x NPT x RF	157(6-3/16")	21lbs(9.5kg)
3/4"300RF(ST) x NPT x RF	163(6-7/16")	22lbs(10kg)
3/4"300RF(SM) x NPT x RF	163(6-7/16")	22lbs(10kg)
3/4"600RF(ST) x NPT x RF	175(6-7/8")	23lbs(10.5kg)
3/4"600RF(SM) x NPT x RF	175(6-7/8")	23lbs(10.5kg)
3/4"1500RF(ST) x NPT x RF	207(8-1/8")	32lbs(14.6kg)
3/4"1500RF(SM) x NPT x RF	207(8-1/8")	32lbs(14.6kg)
3/4"2500RF(ST) x NPT x RF	219(8-5/8")	35lbs(16kg)
3/4"2500RF(SM) x NPT x RF	219(8-5/8")	35lbs(16kg)
3/4"300RTJ x NPT x RTJ	163(6-7/16")	22lbs(10.5kg)
3/4"600RTJ x NPT x RTJ	175(6-7/8")	23lbs(10.5kg)
3/4"1500RTJ x NPT x RTJ	207(8-1/8")	32lbs(14.6kg)
3/4"2500RTJ x NPT x RTJ	219(8-5/8")	35lbs(16kg)

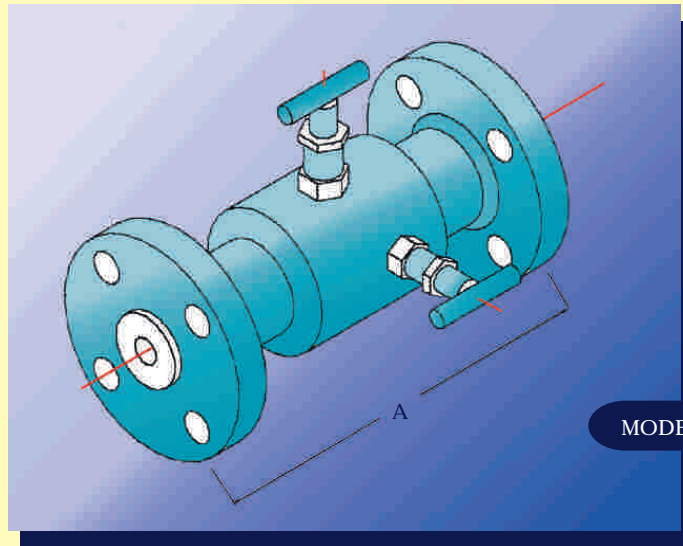
FLG x BLEED x FLG	A- mm(")	WEIGHT
1"150RF(ST) x NPT x RF	161(6-3/8")	22lbs(10kg)
1"150RF(SM) x NPT x RF	161(6-3/8")	22lbs(10kg)
1"300RF(ST) x NPT x RF	167(6-9/16")	24lbs(10.9kg)
1"300RF(SM) x NPT x RF	167(6-9/16")	24lbs(10.9kg)
1"600RF(ST) x NPT x RF	181(7-1/8")	26lbs(11.8kg)
1"600RF(SM) x NPT x RF	181(7-1/8")	26lbs(11.8kg)
1"1500RF(ST) x NPT x RF	207(8-1/8")	40lbs(18kg)
1"1500RF(SM) x NPT x RF	207(8-1/8")	40lbs(18kg)
1"2500RF(ST) x NPT x RF	221(8-3/4")	46lbs(21kg)

FLG x BLEED x FLG	A- mm(")	WEIGHT
1"2500RF(SM) x NPT x RF	221(8-3/4")	46lbs(21kg)
1"150RTJ x NPT x RTJ	161(6-3/8")	22lbs(10kg)
1"300RTJ x NPT x RTJ	167(6-9/16")	24lbs(10.9kg)
1"600RTJ x NPT x RTJ	181(7-1/8")	26lbs(10.8kg)
1"1500RTJ x NPT x RTJ	207(8-1/8")	40lbs(18kg)
1"2500RTJ x NPT x RTJ	221(8-3/4")	46lbs(21kg)

FLG x BLEED x FLG	A- mm(")	WEIGHT
1-1/2"150RF(ST) x NPT x RF	167(6-9/16")	23lbs(10.5kg)
1-1/2"150RF(SM) x NPT x RF	167(6-9/16")	23lbs(10.5kg)
1-1/2"300RF(ST) x NPT x RF	173(6-13/16")	28lbs(12.7kg)
1-1/2"300RF(SM) x NPT x RF	173(6-13/16")	28lbs(12.7kg)
1-1/2"600RF(ST) x NPT x RF	189(7-7/16")	34lbs(15.5kg)
1-1/2"600RF(SM) x NPT x RF	189(7-7/16")	34lbs(15.5kg)
1-1/2"1500RF(ST) x NPT x RF	209(8-1/4")	46lbs(21kg)
1-1/2"1500RF(SM) x NPT x RF	209(8-1/4")	46lbs(21kg)
1-1/2"2500RF(ST) x NPT x RF	254(10")	57lbs(26kg)
1-1/2"2500RF(SM) x NPT x RF	254(10")	57lbs(26kg)
1-1/2"150RTJ x NPT x RTJ	167(6-9/16")	23lbs(10.5kg)
1-1/2"300RTJ x NPT x RTJ	173(6-13/16")	28lbs(12.7kg)
1-1/2"600RTJ x NPT x RTJ	189(7-7/16")	34lbs(15.5kg)
1-1/2"1500RTJ x NPT x RTJ	209(8-1/4")	46lbs(21kg)
1-1/2"2500RTJ x NPT x RTJ	257(10-1/8")	57lbs(26kg)

FLG x BLEED x FLG	A- mm(")	WEIGHT
2"150RF(ST) x NPT x RF	169(6-5/8")	28lbs(12.7kg)
2"150RF(SM) x NPT x RF	169(6-5/8")	28lbs(12.7kg)
2"300RF(ST) x NPT x RF	181(7-1/8")	32lbs(14.6kg)
2"300RF(SM) x NPT x RF	181(7-1/8")	32lbs(14.6kg)
2"600RF(ST) x NPT x RF	201(7-15/16")	36lbs(16.4kg)
2"600RF(SM) x NPT x RF	201(7-15/16")	36lbs(16.4kg)
2"1500RF(ST) x NPT x RF	219(8-5/8")	68lbs(31kg)
2"1500RF(SM) x NPT x RF	219(8-5/8")	68lbs(31kg)
2"2500RF(ST) x NPT x RF	265(10-7/16")	104lbs(47kg)
2"2500RF(SM) x NPT x RF	265(10-7/16")	104lbs(47kg)
2"150RTJ x NPT x RTJ	169(6-5/8")	28lbs(12.7kg)
2"300RTJ x NPT x RTJ	181(7-1/8")	32lbs(14.6kg)
2"600RTJ x NPT x RTJ	204(8")	36lbs(16.4kg)
2"1500RTJ x NPT x RTJ	222(8-3/4")	68lbs(31kg)
2"2500RTJ x NPT x RTJ	268(10-9/16")	104lbs(47kg)

NEEDLE SINGLE BLOCK & BLEED VALVES - 4.5mm BORE



MODEL NNFF

NEEDLE SINGLE BLOCK & BLEED VALVE -
FLG x 1/2" NPT BLEED x FLG

*ST DENOTES STOCK FINISH i.e. 250 TO 500 μ m
SM DENOTES SMOOTH FINISH i.e. 125 to 250 μ m

FLG x BLEED x FLG	A- mm(")	WEIGHT
1/2"150RF(ST) x NPT x RF	153(6")	19lbs(8.6kg)
1/2"150RF(SM) x NPT x RF	153(6")	19lbs(8.6kg)
1/2"300RF(ST) x NPT x RF	157(6-3/16")	20lbs(9kg)
1/2"300RF(SM) x NPT x RF	157(6-3/16")	20lbs(9kg)
1/2"600RF(ST) x NPT x RF	173(6-13/16")	21lbs(9.5kg)
1/2"600RF(SM) x NPT x RF	173(6-13/16")	21lbs(9.5kg)
1/2"1500RF(ST) x NPT x RF	201(7-15/16")	24lbs(10.9kg)
1/2"1500RF(SM) x NPT x RF	201(7-15/16")	24lbs(10.9kg)
1/2"2500RF(ST) x NPT x RF	217(8-9/16")	31lbs(14.1kg)
1/2"2500RF(SM) x NPT x RF	217(8-9/16")	31lbs(14.1kg)
1/2"300RTJ x NPT x RTJ	157(6-3/16")	20lbs(9kg)
1/2"600RTJ x NPT x RTJ	173(6-13/16")	21lbs(9.5kg)
1/2"1500RTJ x NPT x RTJ	201(7-15/16")	24lbs(10.9kg)
1/2"2500RTJ x NPT x RTJ	217(8-9/16")	31lbs(14.1kg)

FLG x BLEED x FLG	A- mm(")	WEIGHT
3/4"150RF(ST) x NPT x RF	157(6-3/16")	21lbs(9.5kg)
3/4"150RF(SM) x NPT x RF	157(6-3/16")	21lbs(9.5kg)
3/4"300RF(ST) x NPT x RF	163(6-7/16")	22lbs(10kg)
3/4"300RF(SM) x NPT x RF	163(6-7/16")	22lbs(10kg)
3/4"600RF(ST) x NPT x RF	175(6-7/8")	23lbs(10.5kg)
3/4"600RF(SM) x NPT x RF	175(6-7/8")	23lbs(10.5kg)
3/4"1500RF(ST) x NPT x RF	207(8-1/8")	32lbs(14.6kg)
3/4"1500RF(SM) x NPT x RF	207(8-1/8")	32lbs(14.6kg)
3/4"2500RF(ST) x NPT x RF	219(8-5/8")	35lbs(16kg)
3/4"2500RF(SM) x NPT x RF	219(8-5/8")	35lbs(16kg)
3/4"300RTJ x NPT x RTJ	163(6-7/16")	22lbs(10kg)
3/4"600RTJ x NPT x RTJ	175(6-7/8")	23lbs(10.5kg)
3/4"1500RTJ x NPT x RTJ	207(8-1/8")	32lbs(14.6kg)
3/4"2500RTJ x NPT x RTJ	219(8-5/8")	35lbs(16kg)

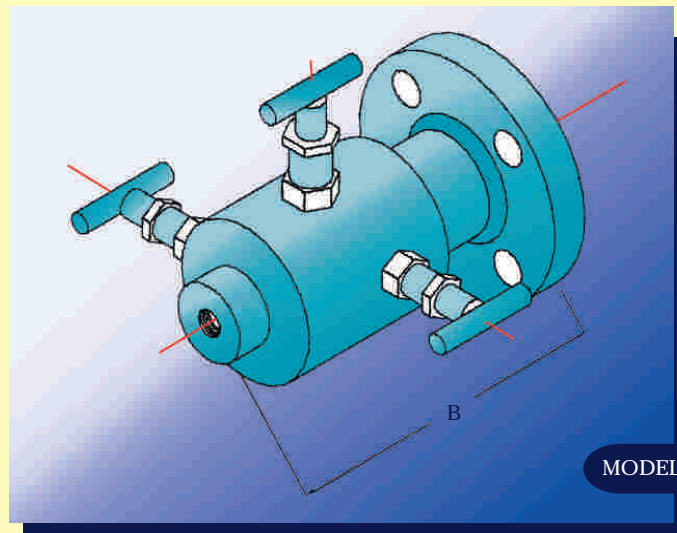
FLG x BLEED x FLG	A- mm(")	WEIGHT
1"150RF(ST) x NPT x RF	161(6-3/8")	22lbs(10kg)
1"150RF(SM) x NPT x RF	161(6-3/8")	22lbs(10kg)
1"300RF(ST) x NPT x RF	167(6-9/16")	24lbs(10.9kg)
1"300RF(SM) x NPT x RF	167(6-9/16")	24lbs(10.9kg)
1"600RF(ST) x NPT x RF	181(7-1/8")	26lbs(11.8kg)
1"600RF(SM) x NPT x RF	181(7-1/8")	26lbs(11.8kg)
1"1500RF(ST) x NPT x RF	207(8-1/8")	40lbs(18kg)
1"1500RF(SM) x NPT x RF	207(8-1/8")	40lbs(18kg)
1"2500RF(ST) x NPT x RF	221(8-3/4")	46lbs(21kg)

FLG x BLEED x FLG	A- mm(")	WEIGHT
1"2500RF(SM) x NPT x RF	221(8-3/4")	46lbs(21kg)
1"150RTJ x NPT x RTJ	161(6-3/8")	22lbs(10kg)
1"300RTJ x NPT x RTJ	167(6-9/16")	24lbs(10.9kg)
1"600RTJ x NPT x RTJ	181(7-1/8")	26lbs(10.8kg)
1"1500RTJ x NPT x RTJ	207(8-1/8")	40lbs(18kg)
1"2500RTJ x NPT x RTJ	221(8-3/4")	46lbs(21kg)

FLG x BLEED x FLG	A- mm(")	WEIGHT
1-1/2"150RF(ST) x NPT x RF	167(6-9/16")	23lbs(10.5kg)
1-1/2"150RF(SM) x NPT x RF	167(6-9/16")	23lbs(10.5kg)
1-1/2"300RF(ST) x NPT x RF	173(6-13/16")	28lbs(12.7kg)
1-1/2"300RF(SM) x NPT x RF	173(6-13/16")	28lbs(12.7kg)
1-1/2"600RF(ST) x NPT x RF	189(7-7/16")	34lbs(15.5kg)
1-1/2"600RF(SM) x NPT x RF	189(7-7/16")	34lbs(15.5kg)
1-1/2"1500RF(ST) x NPT x RF	209(8-1/4")	46lbs(21kg)
1-1/2"1500RF(SM) x NPT x RF	209(8-1/4")	46lbs(21kg)
1-1/2"2500RF(ST) x NPT x RF	254(10")	57lbs(26kg)
1-1/2"2500RF(SM) x NPT x RF	254(10")	57lbs(26kg)
1-1/2"150RTJ x NPT x RTJ	167(6-9/16")	23lbs(10.5kg)
1-1/2"300RTJ x NPT x RTJ	173(6-13/16")	28lbs(12.7kg)
1-1/2"600RTJ x NPT x RTJ	189(7-7/16")	34lbs(15.5kg)
1-1/2"1500RTJ x NPT x RTJ	209(8-1/4")	46lbs(21kg)
1-1/2"2500RTJ x NPT x RTJ	257(10-1/8")	57lbs(26kg)

FLG x BLEED x FLG	A- mm(")	WEIGHT
2"150RF(ST) x NPT x RF	169(6-5/8")	28lbs(12.7kg)
2"150RF(SM) x NPT x RF	169(6-5/8")	28lbs(12.7kg)
2"300RF(ST) x NPT x RF	181(7-1/8")	32lbs(14.6kg)
2"300RF(SM) x NPT x RF	181(7-1/8")	32lbs(14.6kg)
2"600RF(ST) x NPT x RF	201(7-15/16")	36lbs(16.4kg)
2"600RF(SM) x NPT x RF	201(7-15/16")	36lbs(16.4kg)
2"1500RF(ST) x NPT x RF	219(8-5/8")	68lbs(31kg)
2"1500RF(SM) x NPT x RF	219(8-5/8")	68lbs(31kg)
2"2500RF(ST) x NPT x RF	265(10-7/16")	104lbs(47kg)
2"2500RF(SM) x NPT x RF	265(10-7/16")	104lbs(47kg)
2"150RTJ x NPT x RTJ	169(6-5/8")	28lbs(12.7kg)
2"300RTJ x NPT x RTJ	181(7-1/8")	32lbs(14.6kg)
2"600RTJ x NPT x RTJ	204(8")	36lbs(16.4kg)
2"1500RTJ x NPT x RTJ	222(8-3/4")	68lbs(31kg)
2"2500RTJ x NPT x RTJ	268(10-9/16")	104lbs(47kg)

NEEDLE DOUBLE BLOCK & BLEED VALVES - 4.5mm BORE



MODEL NNNFT

NEEDLE DOUBLE BLOCK & BLEED VALVE -
FLG x 1/2" NPT BLEED x 1/2" NPT

ST DENOTES STOCK FINISH i.e. 250 TO 500 μ m
SM DENOTES SMOOTH FINISH i.e. 125 to 250 μ m

FLG x BLEED x OUTLET	B- mm(")	WEIGHT
1/2"150RF(ST) x NPT x NPT	138(5-7/16")	12lbs(5.5kg)
1/2"150RF(SM) x NPT x NPT	138(5-7/16")	12lbs(5.5kg)
1/2"300RF(ST) x NPT x NPT	140(5-1/2")	12.5lbs(5.7kg)
1/2"300RF(SM) x NPT x NPT	140(5-1/2")	12.5lbs(5.7kg)
1/2"600RF(ST) x NPT x NPT	148(5-13/16")	13lbs(5.9kg)
1/2"600RF(SM) x NPT x NPT	148(5-13/16")	13lbs(5.9kg)
1/2"1500RF(ST) x NPT x NPT	162(6-3/8")	14.5lbs(6.6kg)
1/2"1500RF(SM) x NPT x NPT	162(6-3/8")	14.5lbs(6.6kg)
1/2"2500RF(ST) x NPT x NPT	170(6-11/16")	18lbs(8.2kg)
1/2"2500RF(SM) x NPT x NPT	170(6-11/16")	18lbs(8.2kg)
1/2"300RTJ x NPT x NPT	140(5-1/2")	12.5lbs(5.7kg)
1/2"600RTJ x NPT x NPT	148(5-13/16")	13lbs(5.9kg)
1/2"1500RTJ x NPT x NPT	162(6-3/8")	14.5lbs(6.6kg)
1/2"2500RTJ x NPT x NPT	170(6-11/16")	18lbs(8.2kg)

FLG x BLEED x OUTLET	B- mm(")	WEIGHT
3/4"150RF(ST) x NPT x NPT	140(5-1/2")	12.5lbs(5.7kg)
3/4"150RF(SM) x NPT x NPT	140(5-1/2")	12.5lbs(5.7kg)
3/4"300RF(ST) x NPT x NPT	143(5-5/8")	13lbs(5.9kg)
3/4"300RF(SM) x NPT x NPT	143(5-5/8")	13lbs(5.9kg)
3/4"600RF(ST) x NPT x NPT	149(5-7/8")	13.5lbs(6.2kg)
3/4"600RF(SM) x NPT x NPT	149(5-7/8")	13.5lbs(6.2kg)
3/4"1500RF(ST) x NPT x NPT	165(6-1/2")	18lbs(8.2kg)
3/4"1500RF(SM) x NPT x NPT	165(6-1/2")	18lbs(8.2kg)
3/4"2500RF(ST) x NPT x NPT	171(6-3/4")	20lbs(9.1kg)
3/4"2500RF(SM) x NPT x NPT	171(6-3/4")	20lbs(9.1kg)
3/4"300RTJ x NPT x NPT	143(5-5/8")	13lbs(5.9kg)
3/4"600RTJ x NPT x NPT	149(5-7/8")	13.5lbs(6.2kg)
3/4"1500RTJ x NPT x NPT	165(6-1/2")	18lbs(8.2kg)
3/4"2500RTJ x NPT x NPT	171(6-3/4")	20lbs(9.1kg)

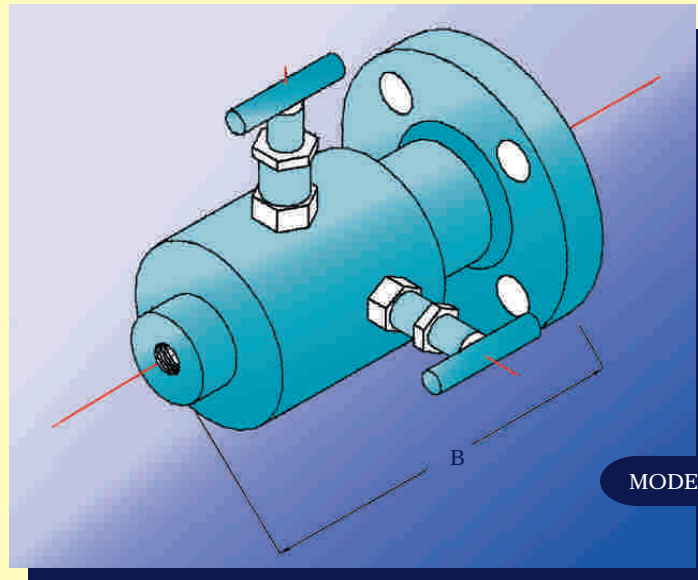
FLG x BLEED x OUTLET	B- mm(")	WEIGHT
1"150RF(ST) x NPT x NPT	142(5-5/8")	13lbs(5.9kg)
1"150RF(SM) x NPT x NPT	142(5-5/8")	13lbs(5.9kg)
1"300RF(ST) x NPT x NPT	145(5-3/4")	14lbs(6.4kg)
1"300RF(SM) x NPT x NPT	145(5-3/4")	14lbs(6.4kg)
1"600RF(ST) x NPT x NPT	152(6")	15lbs(6.8kg)
1"600RF(SM) x NPT x NPT	152(6")	15lbs(6.8kg)
1"1500RF(ST) x NPT x NPT	165(6-1/2")	22lbs(10kg)
1"1500RF(SM) x NPT x NPT	165(6-1/2")	22lbs(10kg)
1"2500RF(ST) x NPT x NPT	172(6-3/4")	25lbs(11.3kg)

FLG x BLEED x OUTLET	B- mm(")	WEIGHT
1"2500RF(SM) x NPT x NPT	172(6-3/4")	25lbs(11.3kg)
1"150RTJ x NPT x NPT	142(5-5/8")	13lbs(5.9kg)
1"300RTJ x NPT x NPT	145(5-3/4")	14lbs(6.4kg)
1"600RTJ x NPT x NPT	152(6")	15lbs(6.8kg)
1"1500RTJ x NPT x NPT	165(6-1/2")	22lbs(10kg)
1"2500RTJ x NPT x NPT	172(6-3/4")	25lbs(11.3kg)

FLG x BLEED x OUTLET	B- mm(")	WEIGHT
1-1/2"150RF(ST) x NPT x NPT	145(5-3/4")	13.5lbs(6.2kg)
1-1/2"150RF(SM) x NPT x NPT	145(5-3/4")	13.5lbs(6.2kg)
1-1/2"300RF(ST) x NPT x NPT	148(5-13/16")	16.2lbs(7.4kg)
1-1/2"300RF(SM) x NPT x NPT	148(5-13/16")	16.2lbs(7.4kg)
1-1/2"600RF(ST) x NPT x NPT	156(6-1/8")	19lbs(8.7kg)
1-1/2"600RF(SM) x NPT x NPT	156(6-1/8")	19lbs(8.7kg)
1-1/2"1500RF(ST) x NPT x NPT	166(6-1/2")	25lbs(11.3kg)
1-1/2"1500RF(SM) x NPT x NPT	166(6-1/2")	25lbs(11.3kg)
1-1/2"2500RF(ST) x NPT x NPT	189(7-7/16")	30lbs(13.6kg)
1-1/2"2500RF(SM) x NPT x NPT	189(7-7/16")	30lbs(13.6kg)
1-1/2"150RTJ x NPT x NPT	145(5-3/4")	13.5lbs(6.2kg)
1-1/2"300RTJ x NPT x NPT	148(5-13/16")	16.2lbs(7.4kg)
1-1/2"600RTJ x NPT x NPT	156(6-1/8")	16.2lbs(7.4kg)
1-1/2"1500RTJ x NPT x NPT	166(6-1/2")	19lbs(8.7kg)
1-1/2"2500RTJ x NPT x NPT	190(7-1/2")	30lbs(13.6kg)

FLG x BLEED x OUTLET	B- mm(")	WEIGHT
2"150RF(ST) x NPT x NPT	146(5-3/4")	16lbs(7.3kg)
2"150RF(SM) x NPT x NPT	146(5-3/4")	16lbs(7.3kg)
2"300RF(ST) x NPT x NPT	152(6")	18lbs(8.2kg)
2"300RF(SM) x NPT x NPT	152(6")	18lbs(8.2kg)
2"600RF(ST) x NPT x NPT	162(6-3/8")	20lbs(9kg)
2"600RF(SM) x NPT x NPT	162(6-3/8")	20lbs(9kg)
2"1500RF(ST) x NPT x NPT	171(6-3/4")	35lbs(15.9kg)
2"1500RF(SM) x NPT x NPT	171(6-3/4")	35lbs(15.9kg)
2"2500RF(ST) x NPT x NPT	194(7-5/8")	53lbs(24kg)
2"2500RF(SM) x NPT x NPT	194(7-5/8")	53lbs(24kg)
2"150RTJ x NPT x NPT	146(5-3/4")	16lbs(7.3kg)
2"300RTJ x NPT x NPT	152(6")	18lbs(8.2kg)
2"600RTJ x NPT x NPT	164(6-7/16")	20lbs(9kg)
2"1500RTJ x NPT x NPT	172(6-3/4")	35lbs(15.9kg)
2"2500RTJ x NPT x NPT	195(7-11/16")	53lbs(24kg)

NEEDLE SINGLE BLOCK & BLEED VALVES - 4.5mm BORE

NEEDLE SINGLE BLOCK & BLEED VALVE -
FLG x 1/2" NPT BLEED x 1/2" NPT

ST DENOTES STOCK FINISH i.e. 250 TO 500 μ m
SM DENOTES SMOOTH FINISH i.e. 125 to 250 μ m

FLG x BLEED x OUTLET	B- mm(")	WEIGHT
1/2"150RF(ST) x NPT x NPT	138(5-7/16")	12lbs(5.5kg)
1/2"150RF(SM) x NPT x NPT	138(5-7/16")	12lbs(5.5kg)
1/2"300RF(ST) x NPT x NPT	140(5-1/2")	12.5lbs(5.7kg)
1/2"300RF(SM) x NPT x NPT	140(5-1/2")	12.5lbs(5.7kg)
1/2"600RF(ST) x NPT x NPT	148(5-13/16")	13lbs(5.9kg)
1/2"600RF(SM) x NPT x NPT	148(5-13/16")	13lbs(5.9kg)
1/2"1500RF(ST) x NPT x NPT	162(6-3/8")	14.5lbs(6.6kg)
1/2"1500RF(SM) x NPT x NPT	162(6-3/8")	14.5lbs(6.6kg)
1/2"2500RF(ST) x NPT x NPT	170(6-11/16")	18lbs(8.2kg)
1/2"2500RF(SM) x NPT x NPT	170(6-11/16")	18lbs(8.2kg)
1/2"300RTJ x NPT x NPT	140(5-1/2")	12.5lbs(5.7kg)
1/2"600RTJ x NPT x NPT	148(5-13/16")	13lbs(5.9kg)
1/2"1500RTJ x NPT x NPT	162(6-3/8")	14.5lbs(6.6kg)
1/2"2500RTJ x NPT x NPT	170(6-11/16")	18lbs(8.2kg)

FLG x BLEED x OUTLET	B- mm(")	WEIGHT
3/4"150RF(ST) x NPT x NPT	140(5-1/2")	12.5lbs(5.7kg)
3/4"150RF(SM) x NPT x NPT	140(5-1/2")	12.5lbs(5.7kg)
3/4"300RF(ST) x NPT x NPT	143(5-5/8")	13lbs(5.9kg)
3/4"300RF(SM) x NPT x NPT	143(5-5/8")	13lbs(5.9kg)
3/4"600RF(ST) x NPT x NPT	149(5-7/8")	13.5lbs(6.2kg)
3/4"600RF(SM) x NPT x NPT	149(5-7/8")	13.5lbs(6.2kg)
3/4"1500RF(ST) x NPT x NPT	165(6-1/2")	18lbs(8.2kg)
3/4"1500RF(SM) x NPT x NPT	165(6-1/2")	18lbs(8.2kg)
3/4"2500RF(ST) x NPT x NPT	171(6-3/4")	20lbs(9.1kg)
3/4"2500RF(SM) x NPT x NPT	171(6-3/4")	20lbs(9.1kg)
3/4"300RTJ x NPT x NPT	143(5-5/8")	13lbs(5.9kg)
3/4"600RTJ x NPT x NPT	149(5-7/8")	13.5lbs(6.2kg)
3/4"1500RTJ x NPT x NPT	165(6-1/2")	18lbs(8.2kg)
3/4"2500RTJ x NPT x NPT	171(6-3/4")	20lbs(9.1kg)

FLG x BLEED x OUTLET	B- mm(")	WEIGHT
1"150RF(ST) x NPT x NPT	142(5-5/8")	13lbs(5.9kg)
1"150RF(SM) x NPT x NPT	142(5-5/8")	13lbs(5.9kg)
1"300RF(ST) x NPT x NPT	145(5-3/4")	14lbs(6.4kg)
1"300RF(SM) x NPT x NPT	145(5-3/4")	14lbs(6.4kg)
1"600RF(ST) x NPT x NPT	152(6")	15lbs(6.8kg)
1"600RF(SM) x NPT x NPT	152(6")	15lbs(6.8kg)
1"1500RF(ST) x NPT x NPT	165(6-1/2")	22lbs(10kg)
1"1500RF(SM) x NPT x NPT	165(6-1/2")	22lbs(10kg)
1"2500RF(ST) x NPT x NPT	172(6-3/4")	25lbs(11.3kg)

FLG x BLEED x OUTLET	B- mm(")	WEIGHT
1"2500RF(SM) x NPT x NPT	172(6-3/4")	25lbs(11.3kg)
1"150RTJ x NPT x NPT	142(5-5/8")	13lbs(5.9kg)
1"300RTJ x NPT x NPT	145(5-3/4")	14lbs(6.4kg)
1"600RTJ x NPT x NPT	152(6")	15lbs(6.8kg)
1"1500RTJ x NPT x NPT	165(6-1/2")	22lbs(10kg)
1"2500RTJ x NPT x NPT	172(6-3/4")	25lbs(11.3kg)

FLG x BLEED x OUTLET	B- mm(")	WEIGHT
1-1/2"150RF(ST) x NPT x NPT	145(5-3/4")	13.5lbs(6.2kg)
1-1/2"150RF(SM) x NPT x NPT	145(5-3/4")	13.5lbs(6.2kg)
1-1/2"300RF(ST) x NPT x NPT	148(5-13/16")	16.2lbs(7.4kg)
1-1/2"300RF(SM) x NPT x NPT	148(5-13/16")	16.2lbs(7.4kg)
1-1/2"600RF(ST) x NPT x NPT	156(6-1/8")	19lbs(8.7kg)
1-1/2"600RF(SM) x NPT x NPT	156(6-1/8")	19lbs(8.7kg)
1-1/2"1500RF(ST) x NPT x NPT	166(6-1/2")	25lbs(11.3kg)
1-1/2"1500RF(SM) x NPT x NPT	166(6-1/2")	25lbs(11.3kg)
1-1/2"2500RF(ST) x NPT x NPT	189(7-7/16")	30lbs(13.6kg)
1-1/2"2500RF(SM) x NPT x NPT	189(7-7/16")	30lbs(13.6kg)
1-1/2"150RTJ x NPT x NPT	145(5-3/4")	13.5lbs(6.2kg)
1-1/2"300RTJ x NPT x NPT	148(5-13/16")	16.2lbs(7.4kg)
1-1/2"600RTJ x NPT x NPT	156(6-1/8")	16.2lbs(7.4kg)
1-1/2"1500RTJ x NPT x NPT	166(6-1/2")	19lbs(8.7kg)
1-1/2"2500RTJ x NPT x NPT	190(7-1/2")	30lbs(13.6kg)

FLG x BLEED x OUTLET	B- mm(")	WEIGHT
2"150RF(ST) x NPT x NPT	146(5-3/4")	16lbs(7.3kg)
2"150RF(SM) x NPT x NPT	146(5-3/4")	16lbs(7.3kg)
2"300RF(ST) x NPT x NPT	152(6")	18lbs(8.2kg)
2"300RF(SM) x NPT x NPT	152(6")	18lbs(8.2kg)
2"600RF(ST) x NPT x NPT	162(6-3/8")	20lbs(9kg)
2"600RF(SM) x NPT x NPT	162(6-3/8")	20lbs(9kg)
2"1500RF(ST) x NPT x NPT	171(6-3/4")	35lbs(15.9kg)
2"1500RF(SM) x NPT x NPT	171(6-3/4")	35lbs(15.9kg)
2"2500RF(ST) x NPT x NPT	194(7-5/8")	53lbs(24kg)
2"2500RF(SM) x NPT x NPT	194(7-5/8")	53lbs(24kg)
2"150RTJ x NPT x NPT	146(5-3/4")	16lbs(7.3kg)
2"300RTJ x NPT x NPT	152(6")	18lbs(8.2kg)
2"600RTJ x NPT x NPT	164(6-7/16")	20lbs(9kg)
2"1500RTJ x NPT x NPT	172(6-3/4")	35lbs(15.9kg)
2"2500RTJ x NPT x NPT	195(7-11/16")	53lbs(24kg)