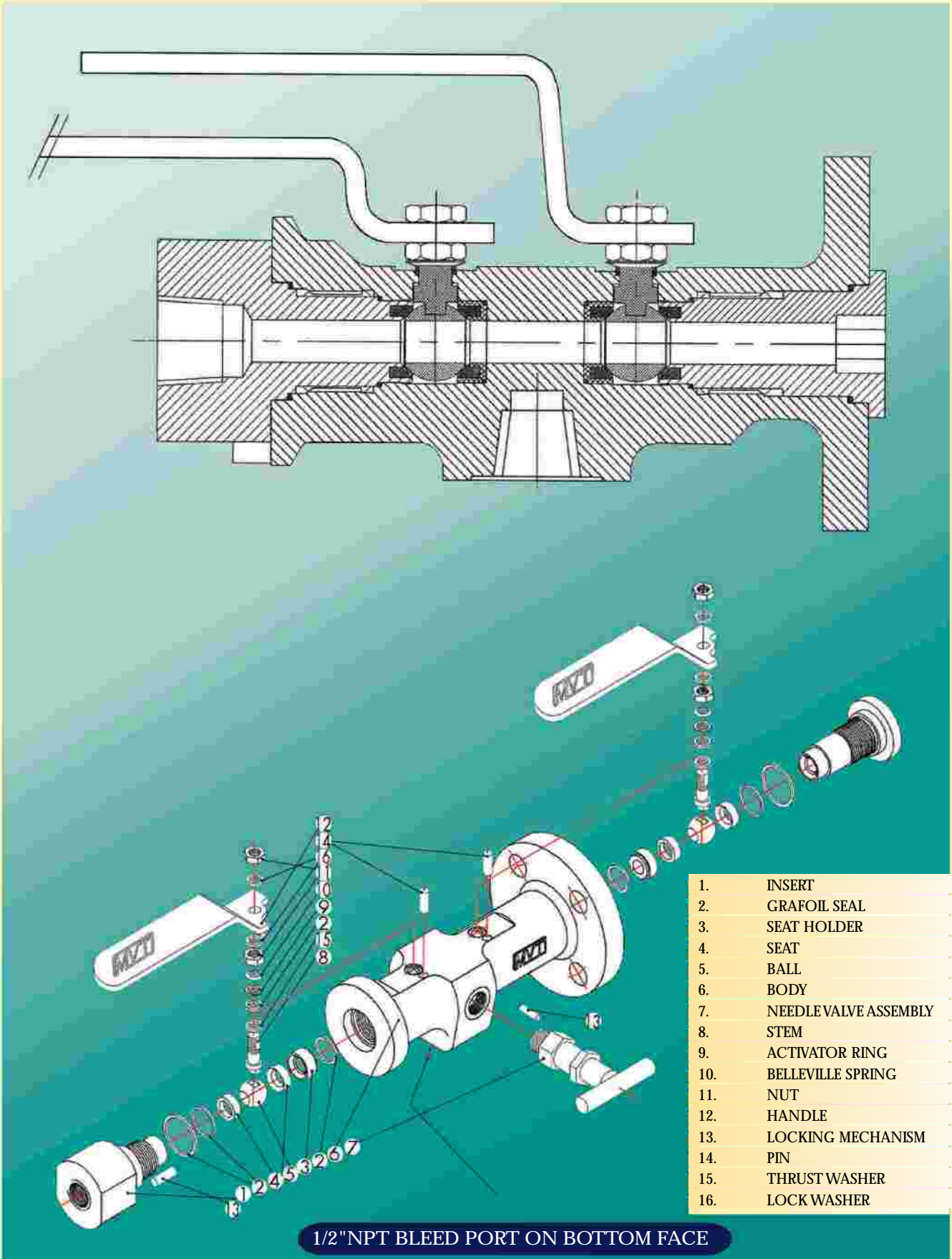
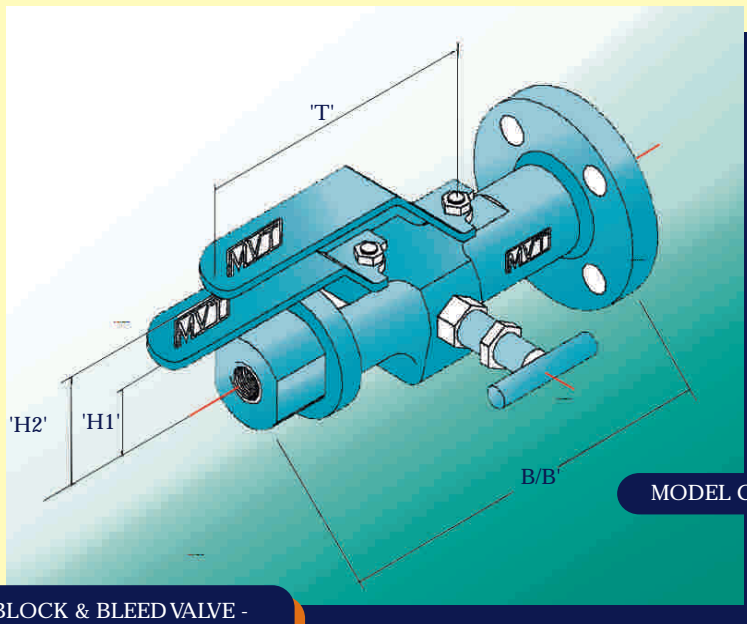


MODEL CBBFT
 COMPACT DOUBLE BLOCK & BLEED ASSEMBLY 10mm BORE



COMPACT DOUBLE BLOCK & BLEED BALL VALVES - 10mm BORE

COMPACT DOUBLE BLOCK & BLEED VALVE -
FLANGE x 1/2"NPT x 1/2"NPT (10mm BORE)

ANSI 150 (275 psi WP)

FLG x BLEED x NPT	B- RFXNPT - mm(°)	B'-RTJxNPT - mm(°)	H1'- mm(°)	H2'- mm(°)	T'- mm(°)	WEIGHT
1/2" x NPT x NPT	187(7-3/8")	-	48(1-7/8")	68(2-11/16")	136(5-3/8")	12lbs(5.5kg)
3/4" x NPT x NPT	187(7-3/8")	-	48(1-7/8")	68(2-11/16")	136(5-3/8")	12.5lbs(5.7kg)
1" x NPT x NPT	200(7-7/8")	205(8-1/16")	48(1-7/8")	68(2-11/16")	136(5-3/8")	13lbs(5.9kg)
1-1/2" x NPT x NPT	193(7-5/8")	193(7-5/8")	48(1-7/8")	68(2-11/16")	136(5-3/8")	13.5lbs(6.2kg)
2" x NPT x NPT	198(7-13/16")	198(7-13/16")	48(1-7/8")	68(2-11/16")	136(5-3/8")	16lbs(7.3kg)

ANSI 300 (720 psi WP)

FLG x BLEED x NPT	B- RFXNPT - mm(°)	B'-RTJxNPT - mm(°)	H1'- mm(°)	H2'- mm(°)	T'- mm(°)	WEIGHT
1/2" x NPT x NPT	191(7-1/2")	191(7-1/2")	48(1-7/8")	68(2-11/16")	136(5-3/8")	12.5lbs(5.7kg)
3/4" x NPT x NPT	187(7-3/8")	205(8-1/16")	48(1-7/8")	68(2-11/16")	136(5-3/8")	13lbs(5.9kg)
1" x NPT x NPT	200(7-7/8")	205(8-1/16")	48(1-7/8")	68(2-11/16")	136(5-3/8")	14lbs(6.4kg)
1-1/2" x NPT x NPT	200(7-7/8")	193(7-5/8")	48(1-7/8")	68(2-11/16")	136(5-3/8")	16.2lbs(7.4kg)
2" x NPT x NPT	193(7-5/8")	203(8")	48(1-7/8")	68(2-11/16")	136(5-3/8")	18lbs(8.2kg)

ANSI 600 (1440 psi WP)

FLG x BLEED x NPT	B- RFXNPT - mm(°)	B'-RTJxNPT - mm(°)	H1'- mm(°)	H2'- mm(°)	T'- mm(°)	WEIGHT
1/2" x NPT x NPT	187(7-3/8")	191(7-1/2")	48(1-7/8")	68(2-11/16")	136(5-3/8")	13lbs(5.9kg)
3/4" x NPT x NPT	200(7-7/8")	205(8-1/16")	48(1-7/8")	68(2-11/16")	136(5-3/8")	13.5lbs(6.2kg)
1" x NPT x NPT	200(7-7/8")	205(8-1/16")	48(1-7/8")	68(2-11/16")	136(5-3/8")	15lbs(6.8kg)
1-1/2" x NPT x NPT	200(7-7/8")	200(7-7/8")	48(1-7/8")	68(2-11/16")	136(5-3/8")	19lbs(8.7kg)
2" x NPT x NPT	209(8-1/4")	209(8-1/4")	48(1-7/8")	68(2-11/16")	136(5-3/8")	20lbs(9kg)

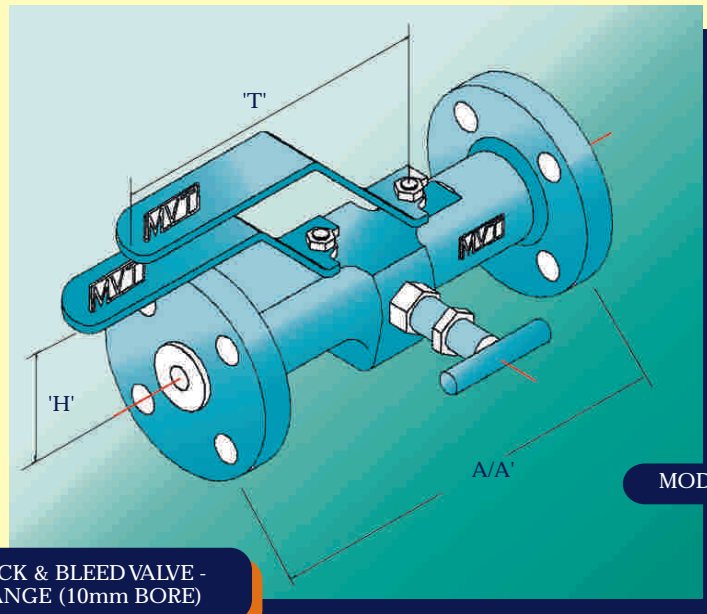
ANSI 1500 (3600 psi WP)

FLG x BLEED x NPT	B- RFXNPT - mm(°)	B'-RTJxNPT - mm(°)	H1'- mm(°)	H2'- mm(°)	T'- mm(°)	WEIGHT
1/2" x NPT x NPT	200(7-7/8")	205(8-1/16")	48(1-7/8")	68(2-11/16")	136(5-3/8")	14.5lbs(6.6kg)
3/4" x NPT x NPT	200(7-7/8")	206(8-1/8")	48(1-7/8")	68(2-11/16")	136(5-3/8")	18lbs(8.2kg)
1" x NPT x NPT	208(8-3/16")	214(8-7/16")	48(1-7/8")	68(2-11/16")	136(5-3/8")	22lbs(10kg)
1-1/2" x NPT x NPT	209(8-1/4")	209(8-1/4")	48(1-7/8")	68(2-11/16")	136(5-3/8")	25lbs(11.3kg)
2" x NPT x NPT	225(8-7/8")	225(8-7/8")	48(1-7/8")	68(2-11/16")	136(5-3/8")	35lbs(15.9kg)

ANSI 2500 (6000 psi WP)

FLG x BLEED x NPT	B- RFXNPT - mm(°)	B'-RTJxNPT - mm(°)	H1'- mm(°)	H2'- mm(°)	T'- mm(°)	WEIGHT
1/2" x NPT x NPT	207(8-3/16")	214(8-7/16")	48(1-7/8")	68(2-11/16")	136(5-3/8")	18lbs(8.2kg)
3/4" x NPT x NPT	209(8-1/4")	215(8-1/2")	48(1-7/8")	68(2-11/16")	136(5-3/8")	20lbs(9.1kg)
1" x NPT x NPT	215(8-1/2")	221(8-3/4")	48(1-7/8")	68(2-11/16")	136(5-3/8")	25lbs(11.3kg)
1-1/2" x NPT x NPT	225(8-7/8")	227(8-15/16")	48(1-7/8")	68(2-11/16")	136(5-3/8")	30lbs(13.6kg)
2" x NPT x NPT	245(9-5/8")	245(9-5/8")	48(1-7/8")	68(2-11/16")	136(5-3/8")	53lbs(24kg)

COMPACT DOUBLE BLOCK & BLEED BALL VALVES - 10mm BORE



MODEL CBBFF

COMPACT DOUBLE BLOCK & BLEED VALVE -
FLANGE x 1/2" NPT x FLANGE (10mm BORE)

ANSI 150 (275 psi WP)

FLG x BLEED x FLG	A-RFxRF - mm(")	A'-RTJxRTJ - mm(")	'H'- mm(")	'T'- mm(")	WEIGHT
1/2" x NPT x 1/2"	181(7-1/8")	-	68(2-11/16")	136(5-3/8")	19lbs(8.6kg)
3/4" x NPT x 3/4"	181(7-1/8")	-	68(2-11/16")	136(5-3/8")	21lbs(9.5kg)
1" x NPT x 1"	205(8-1/16")	213(8-3/8")	68(2-11/16")	136(5-3/8")	22lbs(10kg)
1-1/2" x NPT x 1-1/2"	192(7-9/16")	192(7-9/16")	108(4-1/4")	136(5-3/8")	23lbs(10.5kg)
2" x NPT x 2"	202(8")	202(8")	108(4-1/4")	136(5-3/8")	28lbs(12.7kg)

ANSI 300 (720 psi WP)

FLG x BLEED x FLG	A-RFxRF - mm(")	A'-RTJxRTJ - mm(")	'H'- mm(")	'T'- mm(")	WEIGHT
1/2" x NPT x 1/2"	181(7-1/8")	188(7-7/16")	68(2-11/16")	136(5-3/8")	20lbs(9kg)
3/4" x NPT x 3/4"	205(8-1/16")	213(8-3/8")	68(2-11/16")	136(5-3/8")	22lbs(10kg)
1" x NPT x 1"	205(8-1/16")	215(8-1/2")	68(2-11/16")	136(5-3/8")	24lbs(10.9kg)
1-1/2" x NPT x 1-1/2"	192(7-9/16")	192(7-9/16")	108(4-1/4")	136(5-3/8")	28lbs(12.7kg)
2" x NPT x 2"	212(8-3/8")	212(8-3/8")	108(4-1/4")	136(5-3/8")	32lbs(14.6kg)

ANSI 600 (1440 psi WP)

FLG x BLEED x FLG	A-RFxRF - mm(")	A'-RTJxRTJ - mm(")	'H'- mm(")	'T'- mm(")	WEIGHT
1/2" x NPT x 1/2"	181(7-1/8")	188(7-7/16")	68(2-11/16")	136(5-3/8")	21lbs(9.5kg)
3/4" x NPT x 3/4"	205(8-1/16")	213(8-3/8")	68(2-11/16")	136(5-3/8")	23lbs(10.5kg)
1" x NPT x 1"	205(8-1/16")	215(8-1/2")	108(4-1/4")	136(5-3/8")	26lbs(11.8kg)
1-1/2" x NPT x 1-1/2"	205(8-1/16")	205(8-1/16")	108(4-1/4")	136(5-3/8")	34lbs(15.5kg)
2" x NPT x 2"	224(8-13/16")	224(8-13/16")	108(4-1/4")	136(5-3/8")	36lbs(16.4kg)

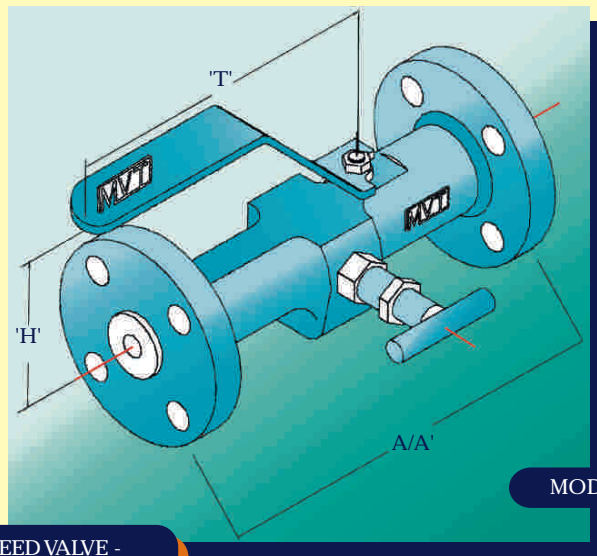
ANSI 1500 (3600 psi WP)

FLG x BLEED x FLG	A-RFxRF - mm(")	A'-RTJxRTJ - mm(")	'H'- mm(")	'T'- mm(")	WEIGHT
1/2" x NPT x 1/2"	205(8-1/16")	215(8-1/2")	68(2-11/16")	136(5-3/8")	24lbs(10.9kg)
3/4" x NPT x 3/4"	205(8-1/16")	218(8-5/8")	108(4-1/4")	136(5-3/8")	32lbs(14.6kg)
1" x NPT x 1"	221(8-3/4")	234(9-1/4")	108(4-1/4")	136(5-3/8")	40lbs(18kg)
1-1/2" x NPT x 1-1/2"	224(8-13/16")	224(8-13/16")	108(4-1/4")	136(5-3/8")	46lbs(21kg)
2" x NPT x 2"	256(10-1/16")	256(10-1/16")	128(5")	136(5-3/8")	68lbs(31kg)

ANSI 2500 (6000 psi WP)

FLG x BLEED x FLG	A-RFxRF - mm(")	A'-RTJxRTJ - mm(")	'H'- mm(")	'T'- mm(")	WEIGHT
1/2" x NPT x 1/2"	221(8-3/4")	234(9-1/4")	108(4-1/4")	136(5-3/8")	31lbs(14.1kg)
3/4" x NPT x 3/4"	222(8-3/4")	235(9-1/4")	108(4-1/4")	136(5-3/8")	35lbs(16kg)
1" x NPT x 1"	236(9-5/16")	248(9-3/4")	108(4-1/4")	136(5-3/8")	46lbs(21kg)
1-1/2" x NPT x 1-1/2"	256(10-1/16")	259(10-3/16")	128(5")	136(5-3/8")	57lbs(26kg)
2" x NPT x 2"	296(11-5/8")	296(11-5/8")	148(5-13/16")	136(5-3/8")	104lbs(47kg)

COMPACT SINGLE BLOCK & BLEED BALL VALVES - 10mm BORE



MODEL CBFF

COMPACT SINGLE BLOCK & BLEED VALVE -
FLANGE x 1/2" NPT x FLANGE (10mm Bore)

ANSI 150 (275 psi WP)

FLG x BLEED x FLG	A- RFxRF - mm(")	A'- RTJxRTJ - mm(")	H'- mm(")	T'- mm(")	WEIGHT
1/2" x NPT x 1/2"	175(6-7/8")	-	68(2-11/16")	136(5-3/8")	19lbs(8.6kg)
3/4" x NPT x 3/4"	175(6-7/8")	-	68(2-11/16")	136(5-3/8")	21lbs(9.5kg)
1" x NPT x 1"	199(7-7/8")	203(8")	68(2-11/16")	136(5-3/8")	22lbs(10kg)
1-1/2" x NPT x 1-1/2"	192(7-9/16")	192(7-9/16")	108(4-1/4")	136(5-3/8")	23lbs(10.5kg)
2" x NPT x 2"	202(8")	202(8")	108(4-1/4")	136(5-3/8")	28lbs(12.7kg)

ANSI 300 (720 psi WP)

FLG x BLEED x FLG	A- RFxRF - mm(")	A'- RTJxRTJ - mm(")	H'- mm(")	T'- mm(")	WEIGHT
1/2" x NPT x 1/2"	175(6-7/8")	178(7")	68(2-11/16")	136(5-3/8")	20lbs(9kg)
3/4" x NPT x 3/4"	199(7-7/8")	203(8")	68(2-11/16")	136(5-3/8")	22lbs(10kg)
1" x NPT x 1"	199(7-7/8")	204(8")	68(2-11/16")	136(5-3/8")	24lbs(10.9kg)
1-1/2" x NPT x 1-1/2"	192(7-9/16")	192(7-9/16")	108(4-1/4")	136(5-3/8")	28lbs(12.7kg)
2" x NPT x 2"	212(8-3/8")	212(8-3/8")	108(4-1/4")	136(5-3/8")	32lbs(14.6kg)

ANSI 600 (1440 psi WP)

FLG x BLEED x FLG	A- RFxRF - mm(")	A'- RTJxRTJ - mm(")	H'- mm(")	T'- mm(")	WEIGHT
1/2" x NPT x 1/2"	175(6-7/8")	178(7")	68(2-11/16")	136(5-3/8")	21lbs(9.5kg)
3/4" x NPT x 3/4"	199(7-7/8")	203(8")	68(2-11/16")	136(5-3/8")	23lbs(10.5kg)
1" x NPT x 1"	199(7-7/8")	204(8")	108(4-1/4")	136(5-3/8")	26lbs(11.8kg)
1-1/2" x NPT x 1-1/2"	205(8-1/16")	205(8-1/16")	108(4-1/4")	136(5-3/8")	34lbs(15.5kg)
2" x NPT x 2"	224(8-13/16")	224(8-13/16")	108(4-1/4")	136(5-3/8")	36lbs(16.4kg)

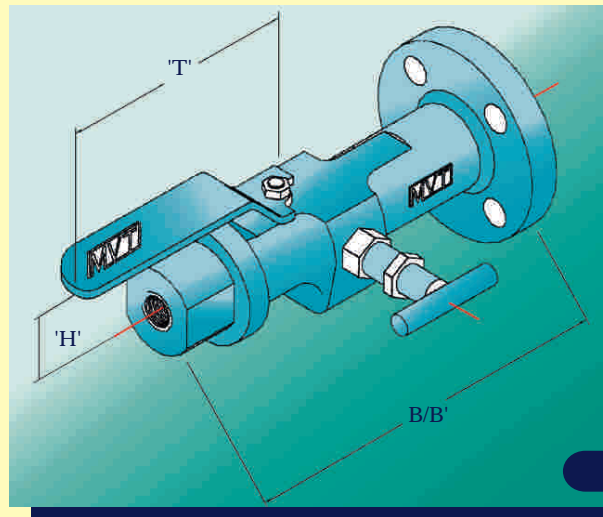
ANSI 1500 (3600 psi WP)

FLG x BLEED x FLG	A- RFxRF - mm(")	A'- RTJxRTJ - mm(")	H'- mm(")	T'- mm(")	WEIGHT
1/2" x NPT x 1/2"	199(7-7/8")	204(8")	68(2-11/16")	136(5-3/8")	24lbs(10.9kg)
3/4" x NPT x 3/4"	199(7-7/8")	205(8-1/16")	108(4-1/4")	136(5-3/8")	32lbs(14.6kg)
1" x NPT x 1"	215(8-1/2")	221(8-3/4")	108(4-1/4")	136(5-3/8")	40lbs(18kg)
1-1/2" x NPT x 1-1/2"	224(8-13/16")	224(8-13/16")	108(4-1/4")	136(5-3/8")	46lbs(21kg)
2" x NPT x 2"	256(10-1/16")	256(10-1/16")	128(5")	136(5-3/8")	68lbs(31kg)

ANSI 2500 (6000 psi WP)

FLG x BLEED x FLG	A- RFxRF - mm(")	A'- RTJxRTJ - mm(")	H'- mm(")	T'- mm(")	WEIGHT
1/2" x NPT x 1/2"	221(8-3/4")	221(8-3/4")	108(4-1/4")	136(5-3/8")	31lbs(14.1kg)
3/4" x NPT x 3/4"	215(8-1/2")	221(8-3/4")	108(4-1/4")	136(5-3/8")	35lbs(16kg)
1" x NPT x 1"	227(8-15/16")	233(9-1/8")	108(4-1/4")	136(5-3/8")	46lbs(21kg)
1-1/2" x NPT x 1-1/2"	256(10-1/16")	259(10-3/16")	128(5")	136(5-3/8")	57lbs(26kg)
2" x NPT x 2"	296(11-5/8")	296(11-5/8")	148(5-13/16")	136(5-3/8")	104lbs(47kg)

COMPACT SINGLE BLOCK & BLEED BALL VALVES - 10mm BORE



MODEL CBFT

COMPACT SINGLE BLOCK & BLEED VALVE -
FLANGE x 1/2"NPT x 1/2"NPT (10mm Bore)

ANSI 150 (275 psi WP)

FLG x BLEED x NPT	B- RFxNPT mm(")	B'- RTIxNPT - mm(")	'H'- mm(")	'T'- mm(")	WEIGHT
1/2" x NPT x NPT	155(6-1/8")	-	48(1-7/8")	136(5-3/8")	12lbs(5.5kg)
3/4" x NPT x NPT	161(6-3/8")	-	48(1-7/8")	136(5-3/8")	12.5lbs(5.7kg)
1" x NPT x NPT	165(6-1/2")	165(6-1/2")	48(1-7/8")	136(5-3/8")	13lbs(5.9kg)
1-1/2" x NPT x NPT	165(6-1/2")	165(6-1/2")	48(1-7/8")	136(5-3/8")	13.5lbs(6.2kg)
2" x NPT x NPT	174(6-7/8")	174(6-7/8")	48(1-7/8")	136(5-3/8")	16lbs(7.3kg)

ANSI 300 (720 psi WP)

FLG x BLEED x NPT	B- RFxNPT mm(")	B'- RTIxNPT - mm(")	'H'- mm(")	'T'- mm(")	WEIGHT
1/2" x NPT x NPT	155(6-1/8")	155(6-1/8")	48(1-7/8")	136(5-3/8")	12.5lbs(5.7kg)
3/4" x NPT x NPT	161(6-3/8")	161(6-3/8")	48(1-7/8")	136(5-3/8")	13lbs(5.9kg)
1" x NPT x NPT	165(6-1/2")	165(6-1/2")	48(1-7/8")	136(5-3/8")	14lbs(6.4kg)
1-1/2" x NPT x NPT	175(6-7/8")	175(6-7/8")	48(1-7/8")	136(5-3/8")	16.2lbs(7.4kg)
2" x NPT x NPT	178(7")	178(7")	48(1-7/8")	136(5-3/8")	18lbs(8.2kg)

ANSI 600 (1440 psi WP)

FLG x BLEED x NPT	B- RFxNPT mm(")	B'- RTIxNPT - mm(")	'H'- mm(")	'T'- mm(")	WEIGHT
1/2" x NPT x NPT	161(6-3/8")	161(6-3/8")	48(1-7/8")	136(5-3/8")	13lbs(5.9kg)
3/4" x NPT x NPT	168(6-5/8")	168(6-5/8")	48(1-7/8")	136(5-3/8")	13.5lbs(6.2kg)
1" x NPT x NPT	172(6-3/4")	172(6-3/4")	48(1-7/8")	136(5-3/8")	15lbs(6.8kg)
1-1/2" x NPT x NPT	182(7-1/8")	182(7-1/8")	48(1-7/8")	136(5-3/8")	19lbs(8.7kg)
2" x NPT x NPT	187(7-3/8")	189(7-1/2")	48(1-7/8")	136(5-3/8")	20lbs(9kg)

ANSI 1500 (3600 psi WP)

FLG x BLEED x NPT	B- RFxNPT mm(")	B'- RTIxNPT mm(")	'H'- mm(")	'T'- mm(")	WEIGHT
1/2" x NPT x NPT	178(7")	178(7")	48(1-7/8")	136(5-3/8")	14.5lbs(6.6kg)
3/4" x NPT x NPT	184(7-1/4")	184(7-1/4")	48(1-7/8")	136(5-3/8")	18lbs(8.2kg)
1" x NPT x NPT	197(7-3/4")	197(7-3/4")	48(1-7/8")	136(5-3/8")	22lbs(10kg)
1-1/2" x NPT x NPT	197(7-3/4")	197(7-3/4")	48(1-7/8")	136(5-3/8")	25lbs(11.3kg)
2" x NPT x NPT	203(8")	205(8-1/16")	48(1-7/8")	136(5-3/8")	35lbs(15.9kg)

ANSI 2500 (6000 psi WP)

FLG x BLEED x NPT	B- RFxNPT mm(")	B'- RTIxNPT mm(")	'H'- mm(")	'T'- mm(")	WEIGHT
1/2" x NPT x NPT	187(7-3/8")	187(7-3/8")	48(1-7/8")	136(5-3/8")	18lbs(8.2kg)
3/4" x NPT x NPT	190(7-1/2")	190(7-1/2")	48(1-7/8")	136(5-3/8")	20lbs(9.1kg)
1" x NPT x NPT	199(7-7/8")	199(7-7/8")	48(1-7/8")	136(5-3/8")	25lbs(11.3kg)
1-1/2" x NPT x NPT	207(8-1/8")	209(8-1/4")	48(1-7/8")	136(5-3/8")	30lbs(13.6kg)
2" x NPT x NPT	218(8-5/8")	220(8-5/8")	48(1-7/8")	136(5-3/8")	53lbs(24kg)